

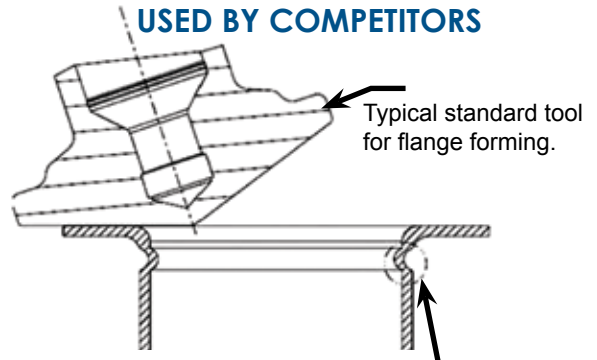


# Erco Flange EFB220

## Flanging Machine

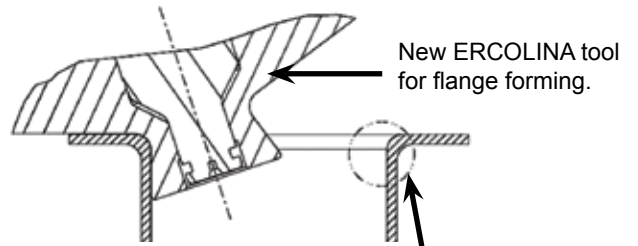


### TRADITIONAL FORMING SYSTEM MOST USED BY COMPETITORS



Main defect: collapsing of material around flange collar. Reduced tube diameter results in flow restriction.

### ERCOLINA INNOVATIVE FORMING SYSTEM



Thickness of material in area of flange radius may be increased. Gain in material at flange radius improves structural integrity.



Three types of tools for capacity from 20 mm and 219.1 mm

## Innovative Design Solves Flange Issues

### FEATURES

- 37° and 90° flanges
- 201 mm – 8" gas max capacity
- PLC control, 5.7" touch screen
- Extremely easy setup
- Quick-change tooling
- Efficient: 30% cost reduction
- Heavy duty cast iron structure
- Double conical tools avoid swelling and deformation
- Consistent quality results

Ercolina's EFB uniformly cold forms a variety of materials including stainless, steel, copper and aluminum to 90° flanges in tubes 20 to 220 millimeter diameter with maximum wall thickness of 5 mm thick.

The innovative forming process uses a series of double conical tools to avoid swelling and deforming the flange.

Greater accuracy with minimum deformation results in less post-forming operations and higher productivity.

The EFB is equipped with a PLC control with 5.7" touch screen to easily control settings and machine operation.